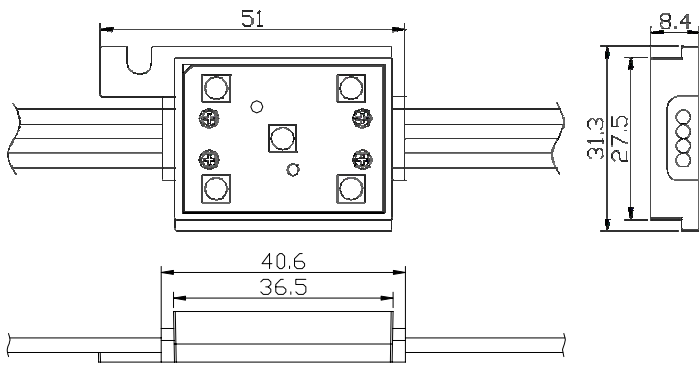
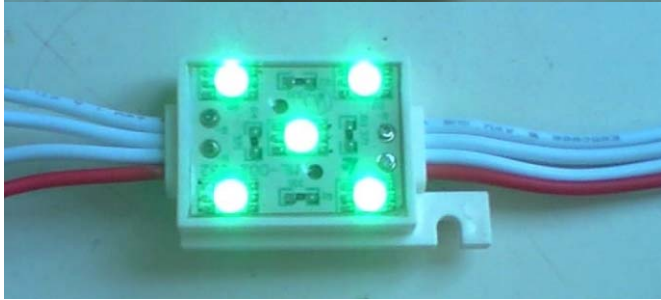
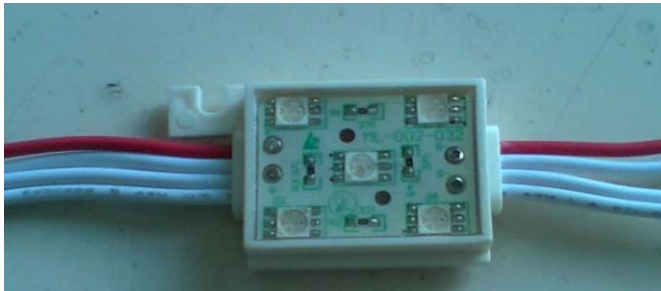


Back light modul specification



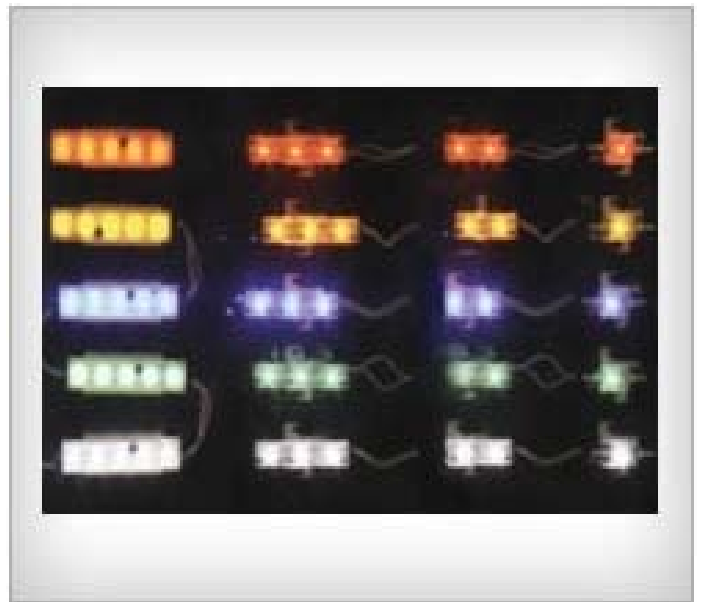
Features

- Can carry out local lighting according to the illumination space of anomalous different type
- Space shallow narrow ideal illumination light source
- Easily customized for length with several enclosure options
- Easy installation with no worries on heat sink arrangements(paste or screw fix)
- Energy efficient
- Long life with zero maintenance
- Produce with new polyester material and the resin of high polymer, have water proofing property and cold-resistant high temperature resistant characteristic



Applications

- Advertising word
- Mark advertising case



Part No.	Size	Voltage	Current	Power	Color	Housing	Luminous flux	LED QTY
ML-MA05R-SL1	51×31.3×8.4 mm	24VDC	20mA	0.48 W	Red	ABS	2.4 lumen	5 PCS
ML-MA05P-SL1	51×31.3×8.4 mm	24VDC	20mA	0.48W	Green	ABS	10 lumen	5 PCS
ML-MA05B-SL1	51×31.3×8.4 mm	24VDC	20mA	0.48 W	Blue	ABS	2.5 lumen	5 PCS
ML-MA05W-SL1	51×31.3×8.4 mm	24VDC	60mA	1.44 W	RGB	ABS	13 lumen	5 PCS